



## APPLICATIONS

- Defence facilities
- Government Buildings
- Embassy compounds
- Energy plant entrances
- Correctional / prison facilities

## iInspectVideo

Advanced imaging and LED illumination provide clear, high resolution video of the vehicle's underside to help detect attached packages, explosives, and other objects. For monitoring, images are processed by computer capable of recording 4-8 channels simultaneously and then displaying moving images on screen. The UVSS server delivers the full picture of a vehicle's entire width and length for a fraction of the cost of less capable systems.



## TECHNOLOGY AT WORK

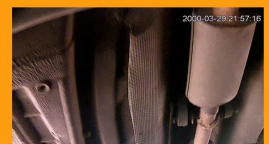
- If your premises are worth securing, it's worth looking into under vehicle Surveillance Systems (UVSS).
- Our UVSS solutions are designed to scan, monitor, and digitally record crisp, clear video images of the entire width of a vehicle's undersides—all with one permanent or portable system.
- It's an ideal solution for governmental, military, corporate, and transportation facilities—wherever complete vehicle monitoring is required..
- The flexibility of the UVSS allows it to be configured to meet your security inspection
- Live monitoring and PC-based recording/monitoring can be combined, which also makes it easy to network the security system.



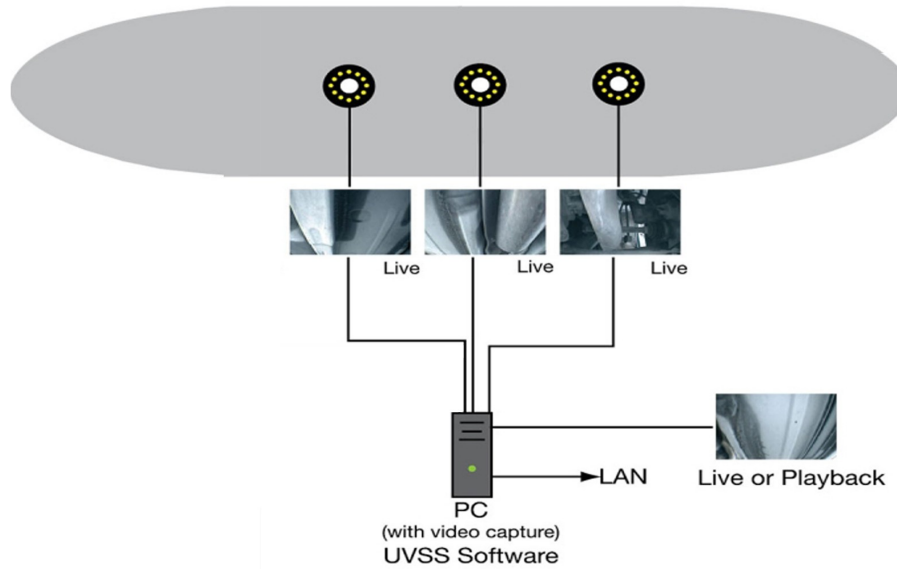
Real-time  
**Viewing**  
with advanced imaging

## BENEFITS

- Efficient viewing is possible
- Facilitates detection of explosives, bombs, contraband objects.
- Facilitates peak-hour inspection without stopping any vehicles.
- Very high through-put saves time while maintaining high standards.
- Highly detailed viewing is possible in case of suspicion. Is a crucial time & life saver
- Easier to navigate. Ensure better usage of the systems
- Multi level and Multi location monitoring and reporting is possible.
- Ease of abnormality detection due to a reference point.
- Crucial aid in post event analysis
- Provides one stop solution for all security needs
- An idea & convenient security aid for crucial & large events such as high profile exhibitions and rallies.
- Efficient monitoring of the vehicles



The bright LEDs allow the UVSS to be used in the dead of night without any additional lighting.



## FEATURES

- Designed for rugged terrain, harsh environment, temperature Waterproof camera and lights
- ANPR (Automatic License Plate Recognition) and image camera compatible
- Open architectures for easy integration with CCTV system
- Video can be transmitted on IP, wireless, fiber or standard coaxial Cables
- Standard systems come with flat panel LCD display Above-surface camera/lighting mounting: no major construction required
- High-resolution long-life color vision system
- All cabling and power accessories are standard with all systems Permanent or portable solution
- All steel ramp with 40-ton capacity for heavy-duty performance Scans vehicles of all length and breadth
- Scans underside of moving vehicles (upto a speed of 30 Kmph) and produces a high quality image, in real-time.

No of Cameras Camera Type Resolution Power Supply Video Format Maximum Scan Speed	3 Outdoor IP Camera 1.3 MP POE H.264/MJPEG 35 KM/H	Camera Type Resolution Housing Power Supply	Box Camera with Varifocal Lens 1.3 MP IP 67 Compliant POE
Auxiliary Cameras		Driver Imaging & ANPR Camera	
Electro-Mechanical Fixtures		Processing Unit	
Dimension Material Finish Lighting Unit Vehicle Detection	1/2 MT x 1.8 MT Structured Steel with Chequered Top Multi layered Epoxy Integrated IR Electro-Magnetic Loop sensor	Processor Ram Storage Display Connectivity	Intel i3 8 GB 1 TB 18.5 Inch 100 MB/Sec LAN



## CONTACT US

M/S Infinite Technologies, Nahid Plaza, 3rd Floor, Plot Number #226, Above Sajdhaj Creations, Salar Jung Colony, Tolichowki, Hyderabad - 500028.

Phone: +91 99080 62904

Email: [sales@infinite technologies.net](mailto:sales@infinite technologies.net)